

### INCLUDES

- Sensor

### UNIQUE FEATURES

- Electro-mechanical sensor detects one level: high or low
- Drives standard instrument panel light or buzzer/bell
- Easy access to fluid level (light can mount in dash panel)
- Standard or custom connector options available
- Electronics are hermetically sealed and protected from fluids

### REASONS TO CHOOSE

- Offers warning/safety feature
- LED light, panel bulb or buzzer level sensor
- Wide range of gauge lengths available
- Robust design leverages proven Kelch gauge technology
- Great performance in wide variety of fluids



FOR MORE INFORMATION, CALL A KELCH REPRESENTATIVE TODAY AT **877.944.5699**

**KELCH.COM**



### COMPOSITION

- All materials exposed to the fluid are manufactured using engineering-grade thermoplastics and stainless steel
- Electronics are completely isolated from the fluid and hermetically potted for protection

### MOUNTING

- Request Kelch print #7038 for recommended hole size and wall thickness specification

### GAUGE LENGTH OPTIONS

- Gauge in lengths of 5" - 23", in ½" increments
- Gauge length to be minimum ½" less than the depth of tank

### OTHER

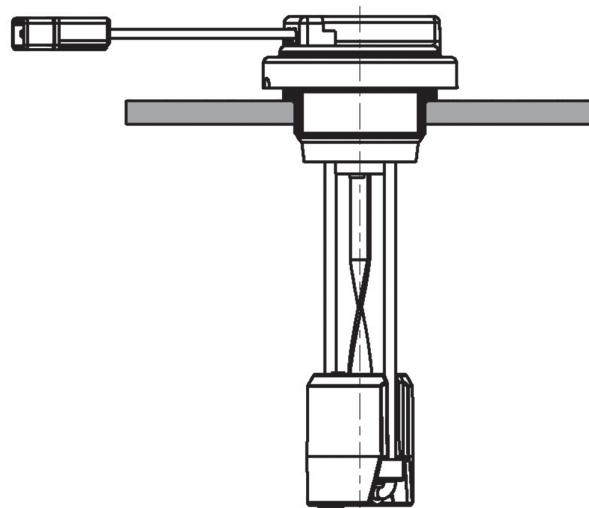
- Single-level indication
- A normally-open or a normally-closed switch for use up to 1-amp at a voltage of 50 V. AC or DC
- Components have been specifically designed for a 12-volt DC system with a resistance load (194 light bulb)
- Customize for your specific application

### GROMMET OPTIONS (SOLD SEPARATELY)

- Nitrile - pt. #201428
- FKM - pt. #203307

### SECTION AND OVERHEAD VIEW OF E-SENSOR

- Fluid lifts float, rotating helix and magnet. When the magnet approaches the isolated reed switch, the circuit closes or opens as specified.



Revised 04/15

Disclaimer: At Kelch, we make quality products. We do not know how you will use our product. You, the customer, are in the best position to know the uses and conditions to which our products will be subjected.

You are responsible for identifying and performing tests necessary to assure that our product is safe and suitable for the application you have chosen. You are in the best position to know how our product will perform in your application, we ask that you hold us harmless from any claims that result from our product being used in an unsafe or unsuitable way.

FOR MORE INFORMATION, CALL A KELCH REPRESENTATIVE TODAY AT **877.944.5699**

**KELCH.COM**