

INCLUDES

- Cap

UNIQUE FEATURES

- Innovative, patented vent system designed for operator protection and safety
- Minimizes leakage when not upright (35-degree angle or more)
- Meets ANSI Spec Z130.1 1986 for rollover protection
- Largest cap size
- More than 1 full turn of thread engagement
- Variety of graphics available

REASONS TO CHOOSE

- Proven performance
- Long-lasting durability
- Wide diameter for easy fill
- Ideal for vehicles requiring rollover protection, such as go-carts, golf carts
- Common thread size



FOR MORE INFORMATION, CALL A KELCH REPRESENTATIVE TODAY AT **877.944.5699**

KELCH.COM



COMPOSITION

- Engineered thermoplastics
- All-plastic cap designed for use in corrosive environments

VENTING OPTIONS

- TIPS incorporates a patented open vent system; venting shuts off when the TIPS system is tilted 35-degrees beyond horizontal
- Barbed fitting for hose

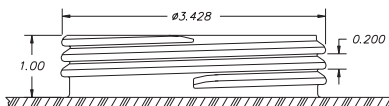
THREAD SIZE

- 3 1/2" modified buttress thread with 5 threads per inch
- Modified buttress thread allows for expansion and contraction of filler neck

FILLER NECK SPECIFICATION

INJECTION MOLDING / BLOW MOLDING
Kelch print 4066

ROTATIONAL MOLDING
Kelch print 6320



PAD PRINTING OPTIONS FOR CAPS

- Standard and custom pad printing available



5209



5213

GASKET OPTIONS

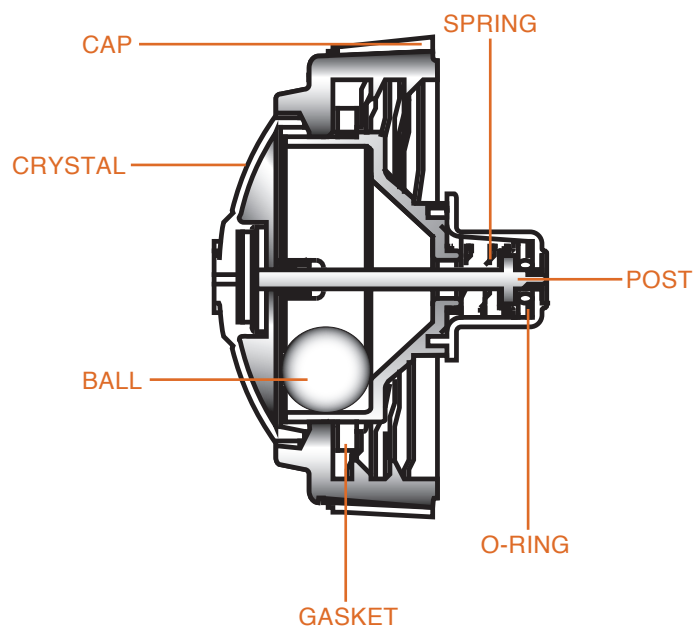
- Nitrile
- FKM

LANYARD OPTIONS

- Internal lanyard

SECTION VIEW OF TIPS CAP

- In a rollover, the ball slides away, allowing the post to close the vent



Revised 04/15

Disclaimer: At Kelch, we make quality products. We do not know how you will use our product. You, the customer, are in the best position to know the uses and conditions to which our products will be subjected.

You are responsible for identifying and performing tests necessary to assure that our product is safe and suitable for the application you have chosen. You are in the best position to know how our product will perform in your application, we ask that you hold us harmless from any claims that result from our product being used in an unsafe or unsuitable way.

FOR MORE INFORMATION, CALL A KELCH REPRESENTATIVE TODAY AT **877.944.5699**

KELCH.COM