

INCLUDES

- Sensor

UNIQUE FEATURES

- Electro-mechanical sensor detects multiple fluid level
- Variety of signals offered for gauge display
- Standard or custom connector available
- Electronics are hermetically sealed and isolated from the fluids
- Magnetically activated sensor
- Top mount
- Push-in or threaded body

REASONS TO CHOOSE

- Continuous fluid level measurements
- Robust design leverages proven Kelch gauge technology
- Great performance in wide variety of fluids
- Can be located in tanks which are difficult measure with swing arm styles
- Programmable to calibrate to tank



Made in the USA

FOR MORE INFORMATION, CALL A KELCH
REPRESENTATIVE TODAY AT 877.944.5699 • KELCH.COM

©2022 0B7472003

COMPOSITION

- All materials exposed to the fluid are manufactured using engineering grade thermoplastics and stainless steel
- Electronics are completely isolated from the fluid and hermetically sealed for protection

MOUNTING

- Request Kelch print #7038 for recommended hole size and wall thickness specification for grommet installation
- Thread-in 1.00" – 11.5 NPSM thread with O-ring. Request Kelch print #4071 for recommended tank geometry
- Kelch sells a driver #204072 for installation of threaded Multi-Level gauge

GAUGE LENGTH OPTIONS

- 6" – 23" in ½" increments
- Gauge length to be minimum ½" less than the depth of tank

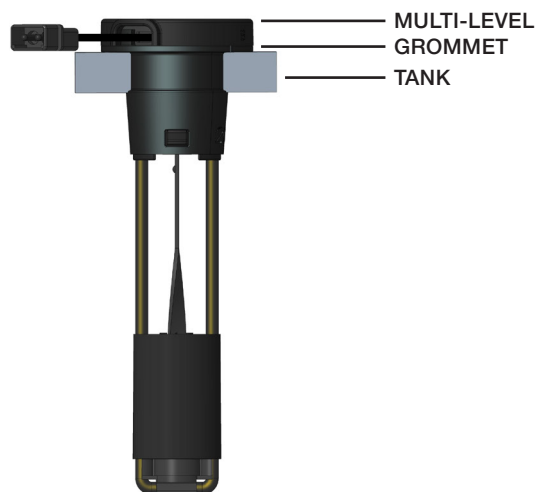
GROMMET OPTIONS (SOLD SEPARATELY)

- Nitrile – pt. #201428
- FKM – pt. #203307

DISPLAY INPUT OPTIONS

- PWM signal
- Resistive signal
- 0.5v to 4.5v signal

CROSS SECTION VIEW



Revised 7/22

Disclaimer: At Kelch, we make quality products. We do not know how you will use our product. You, the customer, are in the best position to know the uses and conditions to which our products will be subjected and to know how our product will perform in your application.

You are responsible for identifying and performing tests necessary to assure that our product is safe and suitable for the application you have chosen. We ask that you hold us harmless from any claims that result from our product being used in an unsafe or unsuitable way.



FOR MORE INFORMATION, CALL A KELCH REPRESENTATIVE TODAY AT 877.944.5699 • KELCH.COM

©2022 0B7472003